

Model SCG

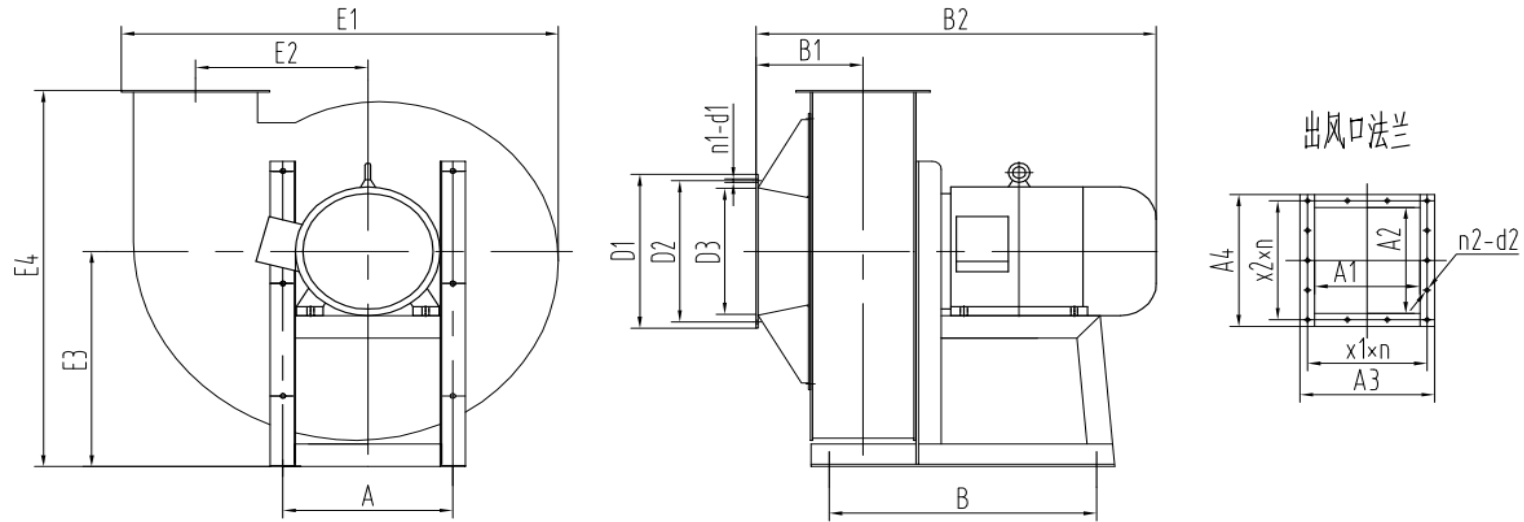
Centrifugal Blower

The Model SCG Centrifugal Fan not only fills the void of the large flow and high-stress fan, but also makes the efficiency to 90 percent.

Model SCG Centrifugal Blower Datasheet

Type	Speed rpm	No.	Flux m ³ /h	Total pressure Pa	Power kW	Motor Power kW
SCG18A	2900	1	7830	6637	15.99	Y2-18.5
		2	8407	6428	16.53	
		3	8871	6137	17.06	
		4	9523	5773	17.59	
		5	10322	5345	18.13	
		6	10792	4262	18.39	
SCG18C	2700	1	7290	5753	12.91	Y2-15
		2	7827	5572	13.34	
		3	8259	5320	13.77	
		4	8866	5004	14.20	
		5	9610	4633	14.63	
		6	10048	3695	14.84	
SCG22A	2900	1	6642	8321	17.01	Y2-22
		2	7763	7989	18.82	
		3	8541	7797	19.83	
		4	8783	7722	20.15	
		5	9692	7494	21.33	
		6	10313	7249	21.59	
SCG30A	2900	1	6232	10284	19.78	Y2-30
		2	6964	10209	20.21	
		3	8055	9944	21.99	
		4	9106	9489	24.10	
		5	10454	8773	26.41	
		6	11910	7907	27.87	
SCG37-1A	2900	1	6153	10282	25.07	Y2-37
		2	8350	9931	29.97	
		3	9588	9635	32.70	
		4	11436	9161	34.88	
		5	12707	8710	36.99	
SCG37-2A	2900	1	8305	10389	28.34	Y2-37
		2	9276	10249	29.97	
		3	10151	10098	32.15	
		4	12124	9730	34.88	
		5	13454	9152	37.15	

Shuangcheng Blower



Shape and Installation Size Chart of Model SCG A Centrifugal Blower

No.	Inlet flange					Outlet flange								Shape Size				Installation Size					
	D1	D2	D3	Coupling bolt		A1	A2	A3	A4	Coupling bolt				E1	E2	E3	E4	B1	B2	A	B	Anchor bolt hole	
				d1	n1					d2	n2	x1xn	x2xn									Φ	quantity
SCG18	362	332	296	10	8	200	300	280	380	10	14	80x3	85x4	1102	433	620	1074	235	870	420	580	18	4
SCG22	362	332	296	10	8	200	311	280	391	12	14	81x3	88x4	1140	449	635	1105	320	980	440	580	18	4
SCG30	479	440	393	12	8	262	330	342	410	12	14	100x3	92.5x4	1209	477	670	1170	281	1077	470	710	18	4
SCG37	486	440	400	12	8	262	347	342	427	12	14	100x3	97x4	1266	500	700	1225	256	1052	470	715	18	4