

## **G4-68 Centrifugal Boiler Blower**

## **Y4-68 Centrifugal Boiler Blower**

Model G4-68 and Y4-68 boiler blower and blower apply to the system of blower and blower for vapor boiler below 230T/H in the Power plant. While having no special requirement, G4-68 may also be used for mine ventilation and ordinary ventilation.

The medium conveyed by the blower is air, no more than 80°C of the highest temperature. The medium conveyed by the blower is smoke, no more than 250°C of the highest temperature.

A dust catching device must be installed in front of the blower, to reduce as much as possible the dust in the smoke entered the blower. The dust catching efficiency is no less than 85%.

Performance indicated in the performance chart, the performance of blower is calculated according to the air medium that: blower  $t=20^{\circ}\text{C}$ , atmospheric pressure  $P_a=101325\text{Pa}$ , air density  $\rho=1.2\text{Kg/m}^3$ . The performance of blower is calculated according to the air medium that: air temperature  $t=140^{\circ}\text{C}$ , atmospheric pressure  $P_a=101325\text{Pa}$ , air density  $\rho=0.85\text{kg/m}^3$ .

# *Shuangcheng Blower*

## Model G4-68 Centrifugal Blower Datasheet

No.	Type	speed r/min	No.	Flux m <sup>3</sup> /h	Total pressure Pa	Power kW	motor	
							Type	Power kW
8	D	1450	1	2177	16985	1406	Y180M-4	18.5
			2	2138	19176	15.06		
			3	2069	21368	15.85		
			4	1971	23559	16.53		
			5	1834	25751	17.03		
			6	1667	27942	17.25		
			7	1481	30134	17.25		
9	D	1450	1	2756	24183	25.31	Y200L-4	30
			2	2707	27304	27.15		
			3	2609	30424	28.46		
			4	2491	33544	29.76		
			5	2324	36665	30.72		
			6	2109	39785	31.06		
			7	1873	42906	31.06		
9	D	960	1	1206	16011	7.33	Y160L-6	11
			2	1187	18077	7.89		
			3	1147	20143	8.28		
			4	1089	22209	8.61		
			5	1020	24275	8.93		
			6	922	26341	8.99		
			7	824	28407	9.05		
10	D	1450	1	3403	33173	42.88	Y250M-4	55
			2	3334	37454	45.88		
			3	3227	41734	48.28		
			4	3070	46014	50.31		
			5	2864	50295	51.91		
			6	2609	54575	52.72		
			7	2315	58856	52.65		
10	D	960	1	1491	21963	12.44	Y180L-6	15
			2	1461	24797	13.31		
			3	1412	27631	13.99		
			4	1344	30465	14.57		
			5	1255	33299	15.07		
			6	1138	36132	15.22		
			7	1010	38966	15.22		

# *Shuangcheng Blower*

## Model G4-68

No.	Type	speed r/min	No.	Flux m <sup>3</sup> /h	Total pressure Pa	Power kW	motor	
							Type	Power kW
10	D	730	1	863	16701	5.47	Y160L-8	7.5
			2	843	18856	5.84		
			3	814	21011	6.13		
			4	775	23166	6.4		
			5	726	25321	6.62		
			6	657	27476	6.69		
			7	588	29631	6.74		
11.2	D	1450	1	4276	46606	75.69	Y280M-4	90
			2	4188	52619	80.95		
			3	4050	58633	85.13		
			4	3854	64647	88.74		
			5	3599	70660	91.67		
			6	3266	76674	92.72		
			7	2903	82688	92.79		
11.2	D	960	1	1873	30856	21.96	Y255M-6	30
			2	1834	34838	23.47		
			3	1775	38819	24.7		
			4	1687	42801	25.71		
			5	1579	46782	26.63		
			6	1432	50764	26.92		
			7	1275	54745	26.98		
11.2	D	730	1	1079	23464	9.61	Y180L-8	11
			2	1059	26491	10.3		
			3	1030	29519	10.9		
			4	981	32546	11.37		
			5	912	35574	11.7		
			6	824	38601	11.77		
			7	736	41629	11.84		
12.5	D	1450	1	5325	64791	131	Y315M2-4	160
			2	5217	73151	140		
			3	5041	81512	148		
			4	4805	89872	154		
			5	4482	98232	158		
			6	4070	106592	161		
			7	3619	114952	161		

# *Shuangcheng Blower*

## Model G4-68

No.	Type	speed r/min	No.	Flux m <sup>3</sup> /h	Total pressure Pa	Power kW	motor	
							Type	Power kW
12.5	D	960	1	2334	42896	38.02	Y280S-6	45
			2	2285	48431	40.66		
			3	2207	53966	42.69		
			4	2109	59501	44.67		
			5	1961	65036	45.98		
			6	1785	70571	46.65		
			7	1589	76106	46.74		
12.5	D	730	1	1353	32619	16.77	Y225M-8	22
			2	1324	36828	17.91		
			3	1275	41027	18.75		
			4	1216	45246	19.6		
			5	1138	49455	20.28		
			6	1030	53664	20.47		
			7	912	57872	20.41		
14	D	1450	1	6679	91027	231	Y355M2-4	250
			2	6541	102772	246		
			3	6326	114518	259	Y355M3-4	315
			4	6022	126263	271		
			5	5619	138009	279		
			6	5100	149754	283		
			7	4531	161499	283		
14	D	960	1	2923	60266	66.89	Y315S-6	75
			2	2864	68042	71.58		
			3	2775	75819	75.43		
			4	2638	83595	78.54	Y315M1-6	90
			5	2462	91371	81.08		
			6	2236	99148	82.1		
			7	1991	106924	82.28		
14	D	730	1	1697	45827	29.52	Y280S-8	37
			2	1657	51741	31.51		
			3	1599	57654	33.03		
			4	1530	63567	34.63		
			5	1422	69480	35.61		
			6	1295	75393	36.14		
			7	1147	81307	36.06		
16	D	960	1	3825	89960	130	Y355M1-6	160
			2	3746	101568	140		
			3	3619	113175	147		
			4	3452	124783	154		
			5	3217	136391	158		
			6	2923	147999	160		
			7	2599	159606	161		
16	D	730	1	2207	68407	57.32	Y355M1-8	75
			2	2167	77234	61.5		
			3	2089	86060	64.45		
			4	1991	94887	67.28		
			5	1863	103714	69.66		
			6	1687	112541	70.29		
			7	1501	121367	70.4		
16	D	580	1	1393	54351	28.75	Y315S-10	45
			2	1363	61364	30.73		
			3	1324	68377	32.46		
			4	1265	75390	33.7		
			5	1177	82403	34.96		
			6	1069	89416	35.39		
			7	951	96429	35.46		

# *Shuangcheng Blower*

## Model G4-68

No.	Type	speed r/min	No.	Flux m <sup>3</sup> /h	Total pressure Pa	Power kW	motor	
							Type	Power kW
18	D	960	1	4841	128088	234		315
			2	4741	144615	252		
			3	4580	161142	265		
			4	4369	177669	278		
			5	4072	194197	285		
			6	3700	210725	288		
			7	3289	227251	290		
18	D	730	1	2793	97400	103.29	Y2-355M <sub>1</sub> -8	132
			2	2742	109968	110.82		
			3	2644	122535	116.14		
			4	2520	135103	121.24		
			5	2358	147671	125.53		
			6	2135	160239	126.66		
			7	1900	172806	126.86		
18	D	580	1	1763	77386	51.81	Y2-315L <sub>1</sub> -10	75
			2	1725	87372	55.38		
			3	1676	97357	58.49		
			4	1601	107342	60.73		
			5	1490	117328	63		
			6	1353	127313	63.77		
			7	1204	137298	63.9		

# *Shuangcheng Blower*

## Model Y4-68 Centrifugal Blower Datasheet

No.	Type	speed r/min	No.	Flux m <sup>3</sup> /h	Total pressure Pa	Power kW	motor	
							Type	Power kW
8	D	1450	1	1540	15889	10.78	Y160L-4	15
			2	1510	18080	11.56		
			3	1461	20272	12.23		
			4	1393	22464	12.8		
			5	1304	24655	13.27		
			6	1187	26847	13.57		
			7	1059	29038	13.78		
9	D	1450	1	1952	22623	19.45	Y180L-4	22
			2	1912	25743	20.84		
			3	1844	28864	21.98		
			4	1756	31984	22.98	Y200L-4	30
			5	1648	35105	23.86		
			6	1510	38225	24.58		
			7	1344	41345	24.89		
9	D	960	1	853	14978	5.62	Y160M-6	7.5
			2	843	17044	6.09		
			3	804	19110	6.35		
			4	775	21176	6.71		
			5	726	23242	6.96		
			6	657	25308	7.08		
			7	588	27374	7.22		
10	D	1450	1	2413	31033	32.99	Y225M-4	45
			2	2364	35313	35.34		
			3	2275	39594	37.2		
			4	2167	43874	38.92		
			5	2030	48155	40.33		
			6	1863	52435	41.61		
			7	1657	56715	42.12		
10	D	960	1	1059	20546	9.59	Y180L-6	15
			2	1040	23380	10.29		
			3	1000	26214	10.83		
			4	951	29048	11.31		
			5	892	31882	11.74		
			6	814	34716	12.03		
			7	726	37549	12.21		

# *Shuangcheng Blower*

## Model Y4-68

No.	Type	speed r/min	No.	Flux m <sup>3</sup> /h	Total pressure Pa	Power kW	motor	
							Type	Power kW
10	D	730	1	608	15623	4.19	Y160M2-8	5.5
			2	598	17778	4.5		
			3	579	19933	4.76		
			4	549	22088	4.96		
			5	520	24243	5.2		
			6	471	26398	5.29		
			7	422	28553	5.4		
11.2	D	1450	1	3021	43599	58.02	Y280S-4	75
			2	2962	49613	62.22		
			3	2854	55626	65.56		
			4	2717	61640	68.54		
			5	2550	67654	71.16		
			6	2334	73667	73.22		
			7	2079	79681	74.24		
11.2	D	960	1	1324	28866	16.84	Y200L2-6	22
			2	1304	62847	18.14		
			3	1255	36828	19.09		
			4	1197	40810	19.98		
			5	1118	44791	20.66		
			6	1020	48773	21.18		
			7	912	52754	21.56		
11.2	D	730	1	765	21950	7.4	Y180L-8	11
			2	755	24977	7.99		
			3	726	28005	8.39		
			4	686	31033	8.72		
			5	647	34060	9.09		
			6	588	37088	9.29		
			7	530	40115	9.52		
12.5	D	1450	1	3766	60611	101	Y315S-4	110
			2	3697	68971	108		
			3	3560	77331	114	Y315M1-4	132
			4	3393	85692	119		
			5	3178	94052	123		
			6	2903	102412	127		
			7	2589	110772	129		

# *Shuangcheng Blower*

## Model Y4-68

No.	Type	speed r/min	No.	Flux m <sup>3</sup> /h	Total pressure Pa	Power kW	motor	
							Type	Power kW
12.5	D	960	1	1648	40139	29.13	Y250M-6	37
			2	1618	45664	31.29		
			3	1559	51199	32.97		
			4	1491	56734	34.61		
			5	1393	62269	35.77		
			6	1275	67804	36.81		
			7	1138	73339	37.39		
12.5	D	730	1	951	30515	12.79	Y225S-8	18.5
			2	942	34723	13.84		
			3	902	38932	14.51		
			4	863	43141	15.24		
			5	804	47350	15.71		
			6	736	51559	16.15		
			7	657	55768	16.42		
14	D	1450	1	4727	85154	177	Y355M2-4	250
			2	4639	96900	190		
			3	4462	108645	200		
			4	4256	120391	210		
			5	3982	132136	217		
			6	3648	143881	224		
			7	3246	155627	226		
14	D	960	1	2069	56378	51.4	Y315S-6	75
			2	2030	64154	55.1		
			3	1952	71931	58		
			4	1863	79707	60.8		
			5	1746	87483	63		
			6	1599	95259	64.8		
			7	1422	103036	65.7		
14	D	730	1	1197	42871	22.6	Y250M-8	30
			2	1177	48784	24.31		
			3	1128	54697	25.47		
			4	1079	60610	26.76		
			5	1010	66524	27.72		
			6	922	72427	28.44		
			7	824	78350	28.92		

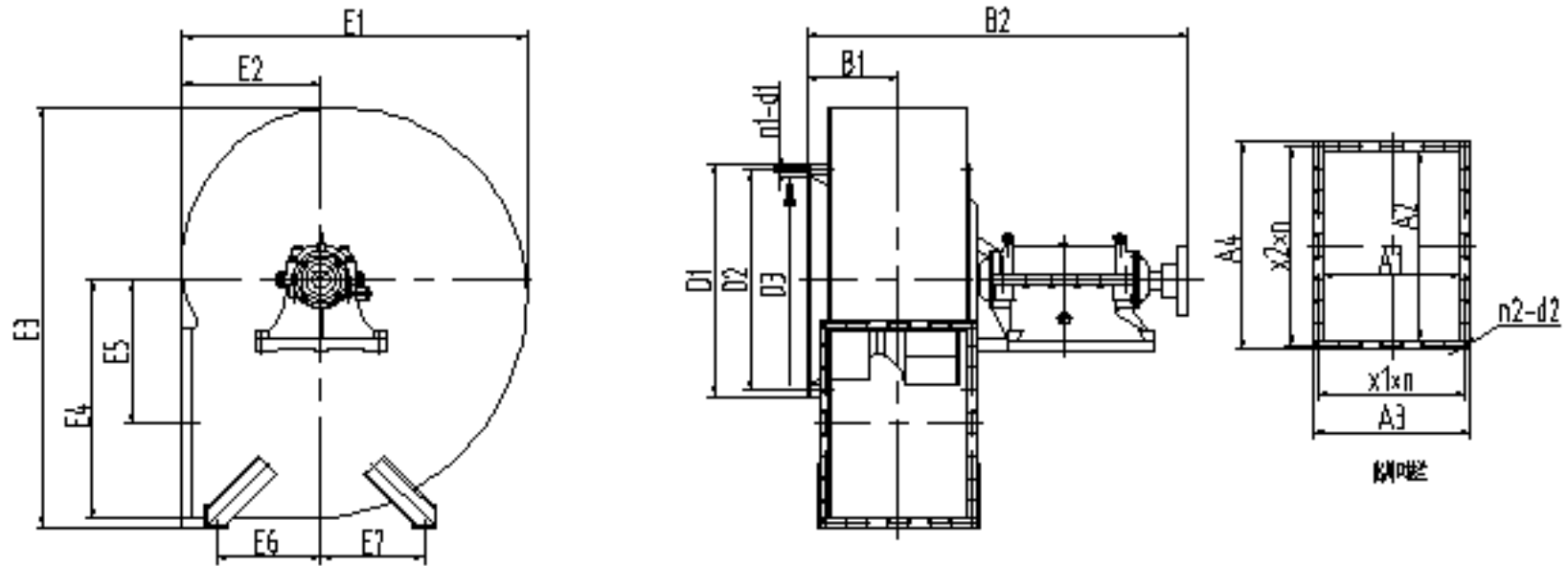


# *Shuangcheng Blower*

## Model Y4-68

No.	Type	speed r/min	No.	Flux m <sup>3</sup> /h	Total pressure Pa	Power kW	motor	
							Type	Power kW
16	D	960	1	2707	84156	100	Y315M2-6	110
			2	2658	95764	108		
			3	2560	107372	113		
			4	2432	118979	118	Y315M3-6	132
			5	2285	130587	123		
			6	2089	142195	126		
			7	1854	153803	128		
16	D	730	1	1559	63994	43.97	Y315S-8	55
			2	1530	72820	47.17		
			3	1481	81647	9.93		
			4	1412	90474	52.29		
			5	1314	99301	53.83		
			6	1206	108127	55.54		
			7	1079	116954	56.54		
16	D	580	1	991	50844	22.19	Y315S-10	45
			2	971	57857	23.78		
			3	932	64870	24.96		
			4	892	71883	26.27		
			5	834	78896	27.13		
			6	765	85909	27.99		
			7	677	92922	28.18		
18	D	960	1	3426	119824	180	Y2-355L-6	250
			2	3364	136351	193		
			3	3240	152879	204		
			4	3078	169406	213		
			5	2892	185933	222		
			6	2644	202461	227		
			7	2346	218989	231		
18	D	730	1	1973	91116	79.24	Y2-315L <sub>2</sub> -8	110
			2	1936	103683	85		
			3	1874	116251	89.98		
			4	1787	128819	94.23		
			5	1663	141388	97		
			6	1526	153954	100.08		
			7	1366	166522	101.89		
18	D	580	1	1254	72393	39.99	Y2-315M-10	55
			2	1229	82378	42.85		
			3	1180	92364	44.98		
			4	1129	102349	47.34		
			5	1056	112334	48.89		
			6	968	122320	50.44		
			7	857	132305	50.78		

# Shuangcheng Blower



**Shape and Installation Size Chart of Model G、Y4-68 D Centrifugal Blower**

No.	Inlet flange					Outlet flange								Shape Size								Bearing No	
	D1	D2	D3	Coupling bolt		A1	A2	A3	A4	Coupling bolt				E1	E2	E3	E4	E5	E6	E7	B1		B2
				d1	n1					d2	n2	x1xn	x2xn										
8	910	860	800	15	16	448	592	557	698	12	22	103×5	109×6	1322	556	1744	1000	605	400	400	345	1168	22316
9	1020	970	900	15	16	504	665	613	771	15	24	114×5	104×7	1483	623	1940	1120	681	450	500	385	1442	22316
10	1120	1070	1000	15	16	560	728	669	834	15	22	125×5	133×6	1638	690	2117	1220	756	500	550	424	1619	22316
11.2	1248	1190	1128	15	24	641	823	741	923	15	28	115×6	110×8	1844	774	2220	1308	846.5	680	680	486.5	1967	22320
12.5	1380	1320	1250	15	20	700	921	810	1030	15	30	109×7	123×8	2053	861	2628	1515	945	660	660	534	2053	22320
14	1526	1470	1406	16	24	800	1040	926	1166	15	28	144×6	138×8	2295	962	2871	1685	1058	740	800	600	2528	22324
16	1750	1680	1600	15	24	896	1176	1034	1311	15	32	139×7	139×9	2606	1091	3256	1910	1210	850	900	738	2710	22326
18																							