

Model GS Centrifugal Blower

Export fan in small size and easy installation, which is applied to 60Hz power frequency countries and regions, The gas conveyed by the Model GS Series Centrifugal Blower should be nontoxic, innocuously, non-corrosive, non-self-igniting, and the temperature should not be higher than 80°C. The powder dust contained in the conveying gas should be no more than 150mg/m³.

Model GS Centrifugal Blower Datasheet

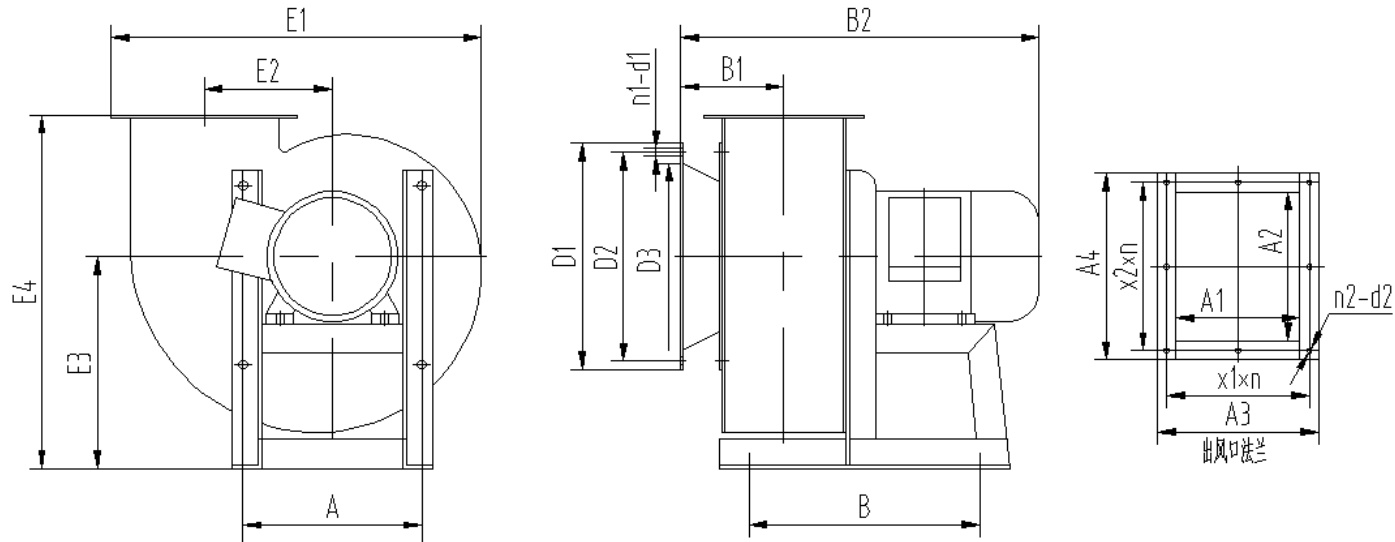
No.	Type	speed r/min	No.	Flux m ³ /h	Total pressure Pa	Power kW	motor	
							Type	Power kW
250	A	3480	1	1118	1109	0.71	Y90S-2	1.1
			2	1264	1070	0.69		
			3	1417	1018	0.73		
			4	1560	959	0.74		
			5	1715	884	0.78		
			6	1860	806	0.80		
			7	2012	696	0.78		
			8	2177	600	0.81		
280	A	3480	1	1572	1391	1.24	Y90S-2	1.5
			2	1776	1344	1.23		
			3	1991	1277	1.28		
			4	2194	1202	1.33		
			5	2408	1109	1.37		
			6	2612	1011	1.40		
			7	2827	873	1.38		
			8	3011	812	1.44		
300	A	3480	1	1906	1644	1.66	Y90L-2	2.2
			2	2156	1618	1.78		
			3	2406	1579	1.87		
			4	2657	1522	1.94		
			5	2908	1431	1.97		
			6	3157	1330	2.02		
			7	3408	1194	2.04		
			8	3659	1031	2.00		
320	A	3480	1	2346	1818	2.26	Y100L-2	3
			2	2651	1756	2.38		
			3	2971	1670	2.32		
			4	3275	1571	2.40		
			5	3595	1448	2.47		
			6	3900	1322	2.54		
			7	4220	1140	2.51		
			8	4887	989	2.55		

Shuangcheng Blower

Model GS

No.	Type	speed r/min	No.	Flux m ³ /h	Total pressure Pa	Power kW	motor	
							Type	Power kW
360	A	3480	1	3654	2204	3.71	Y132S1-2	5.5
			2	4086	2132	3.89		
			3	4543	2043	4.06		
			4	4975	1934	4.18		
			5	5432	1809	4.32		
			6	5864	1647	4.37		
			7	6321	1424	4.35		
			8	6924	1320	4.42		
400	A	3480	1	5407	2835	6.32	Y132S2-2	7.5
			2	5968	2758	6.60		
			3	6562	2635	6.81		
			4	7154	2481	6.95		
			5	7748	2313	7.11		
			6	8308	2100	7.11		
			7	8903	1900	7.24		
			8	9859	1773	7.36		
450	A	3480	1	7699	3596	10.92	Y160M2-2	15
			2	8497	3496	11.40		
			3	9342	3341	11.77		
			4	10187	3145	12.01		
			5	11033	2932	12.25		
			6	11831	2662	12.27		
			7	12674	2409	12.51		
			8	13255	2335	12.90		

Shuangcheng Blower



Shape and Installation Size Chart of Model GS A Centrifugal Blower

No.	Inlet flange					Outlet flange								Shape Size						Installation Size			
	D1	D2	D3	Coupling bolt		A1	A2	A3	A4	Coupling bolt				E1	E2	E3	E4	B1	B2	A	B	Anchor bolt hole	
				d1	n1					d2	n2	x1xn	x2xn									Φ	quantity
250	304	280	254	10	8	166	200	216	250	8	8	96×2	113×2	497	172	285	475	139	482	240	310	15	4
300	364	335	304	10	8	189	310	239	360	8	14	72×3	85×4	653	213	370	605	142.5	522	240	360	15	4
320	384	360	324	10	12	210	262	260	312	8	12	118×2	71.5×4	639	224	360	610	158	583	260	410	15	4
335	399	375	339	10	12	230	273	280	323	8	12	85×3	100×3	667	235	377	637	168	623	300	460	15	4
360	424	400	364	10	12	249	293	299	343	8	12	91.5×3	107×3	715	252.5	402	682	177.5	697	340	500	15	4
400	466	440	406	10	12	288	326	338	376	8	20	63×5	71×5	779	274	442	742	196	735	340	540	15	4
450	516	490	456	10	12	315	360	375	420	12	20	70×5	79×5	878	311.5	500	835	215.5	863	406	655	15	4