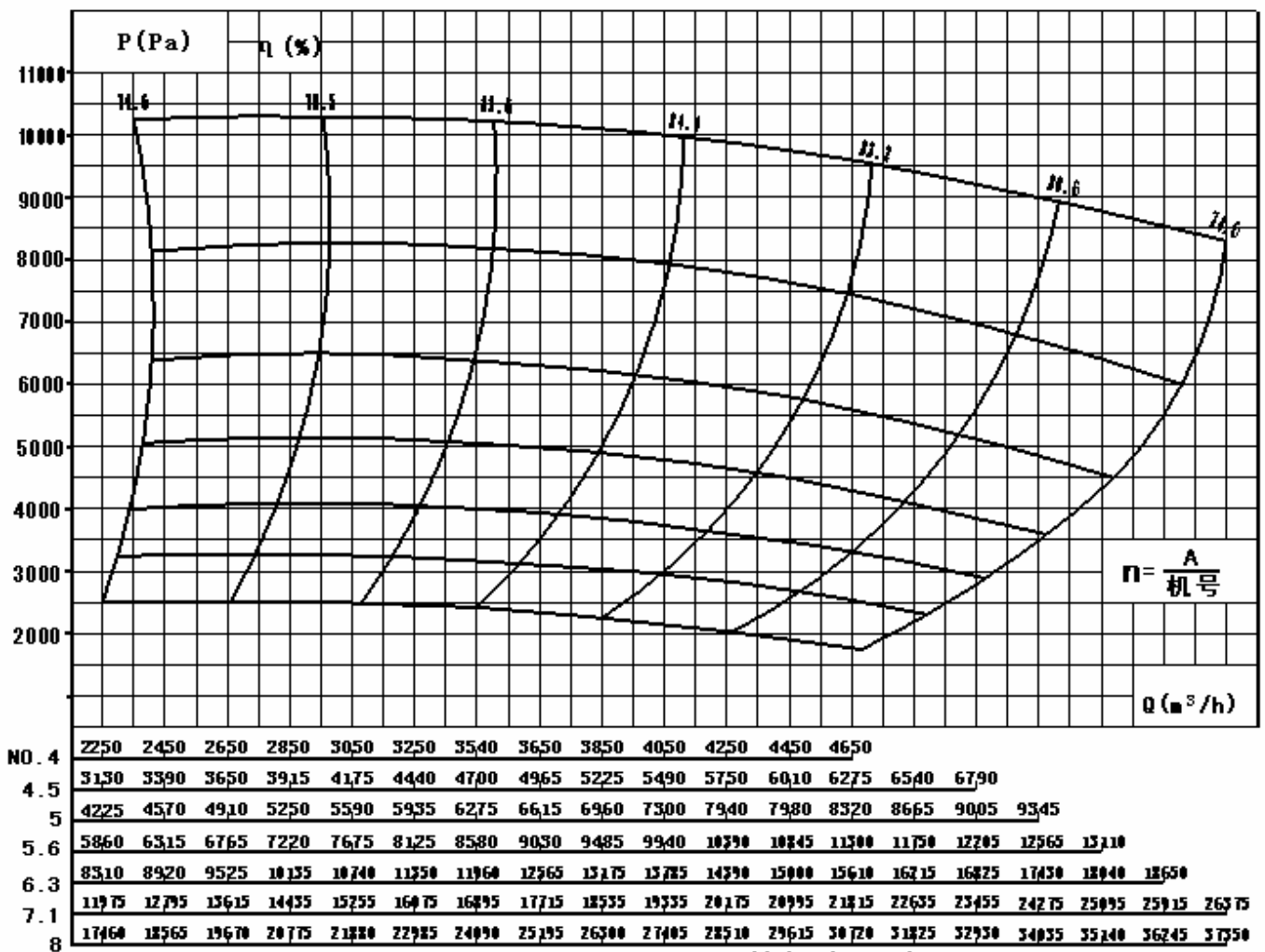


# Shuangcheng Blower

## Model 5-48-12

### Centrifugal Blower

1.1 Model 5-48-12 Centrifugal Blower applies to the dust catching system in the rice processing industry, as well as for the indoor ventilation in ordinary factory or in large-scale building, conveying air or other gas which may not self-ignite, do no harm to human body or is not corrosive to the steels. No glutinous matter is allowed in the gas. The dust or grain matter is no more than  $150\text{mg}/\text{m}^3$ . The gas temperature is no higher than  $80^\circ\text{C}$ .



5-48-12No. 4--8综合性能曲线图

# *Shuangcheng Blower*

## Model 5-48-12 Centrifugal Blower Datasheet

No.	Type	r/min	No.	Flux m <sup>3</sup> /h	Total pressure Pa	Power kW	motor				
							Type	Power kW			
4	A	2900	1	2250	2500	2.27	Y100L-2	3			
			2	2650	2510	2.68					
			3	3050	2490	3.06					
						4	3540	2410	3.44	Y112M-2	4
						5	3850	2260	3.50		
						6	4250	2050	3.51		
						7	4650	1790	3.58		
4.5	A	2900	1	3130	3200	4.04	Y132S2-2	7.5			
			2	3650	3250	4.78					
			3	4180	3230	5.44					
			4	4700	3190	6.05					
			5	5230	3010	6.35					
			6	5750	2800	6.49					
			7	6275	2520	6.53					
			8	6540	2390	6.72					
5	A	2900	1	4230	3950	6.74	Y160M1-2	11			
			2	4910	4100	8.12					
			3	5590	4140	9.33					
			4	6275	4000	10.12					
			5	6960	3820	10.72					
			6	7940	3650	11.18					
			7	8320	3300	11.35					
			8	9005	2960	11.46					
5.6	A	2900	1	6315	5060	12.88	Y160L-2	18.5			
			2	7220	5200	15.14					
			3	8125	5100	16.71					
						4	9030	4980	18.13	Y180M-2	22
						5	9940	4790	19.20		
						6	10845	4495	19.65		
						7	11750	4090	19.61		
						8	12570	3640	19.68		

# *Shuangcheng Blower*

## Model 5-48-12

No.	Type	r/min	No.	Flux m <sup>3</sup> /h	Total pressure Pa	Power kW	motor				
							Type	Power kW			
6.3	A	2900	1	8920	6370	22.91	Y200L <sub>1</sub> -2	30			
			2	10135	6450	26.36					
			3	11350	6410	29.34					
						4	12570	6300	31.93	Y200L <sub>2</sub> -2	37
						5	13783	6100	33.90		
						6	15000	5700	34.47		
						7	16215	5380	35.17		
						8	17430	4850	35.21		
						9	18040	4550	35.31		
6.3	C	2800	1	8146	6087	19.99	Y200L <sub>1</sub> -2	30			
			2	9255	6163	23.00					
			3	10365	6125	25.60					
			4	11480	6020	27.86					
			5	12587	5829	29.58					
			6	13698	5447	30.08					
			7	14808	5141	30.69					
			8	15917	4634	30.72					
			9	16474	4348	30.81					
6.3	C	2700	1	7575	5870	17.92	Y180M-2	22			
			2	8606	5942	20.62					
			3	9638	5906	22.95					
						4	10675	5805	24.98	Y200L <sub>1</sub> -2	30
						5	11704	5621	26.52		
						6	12737	5252	26.97		
						7	13769	4957	27.51		
						8	14800	4469	27.54		
						9	15318	4193	27.62		
6.3	C	2600	1	7024	5653	16.00	Y180M-2	22			
			2	7980	5722	18.41					
			3	8937	5687	20.49					
			4	9899	5590	22.30					
						5	10853	5412	23.68	Y200L <sub>1</sub> -2	30
						6	11811	5058	24.08		
						7	12768	4773	24.56		
						8	13724	4304	24.59		
						9	14204	4038	24.66		

# *Shuangcheng Blower*

## Model 5-48-12

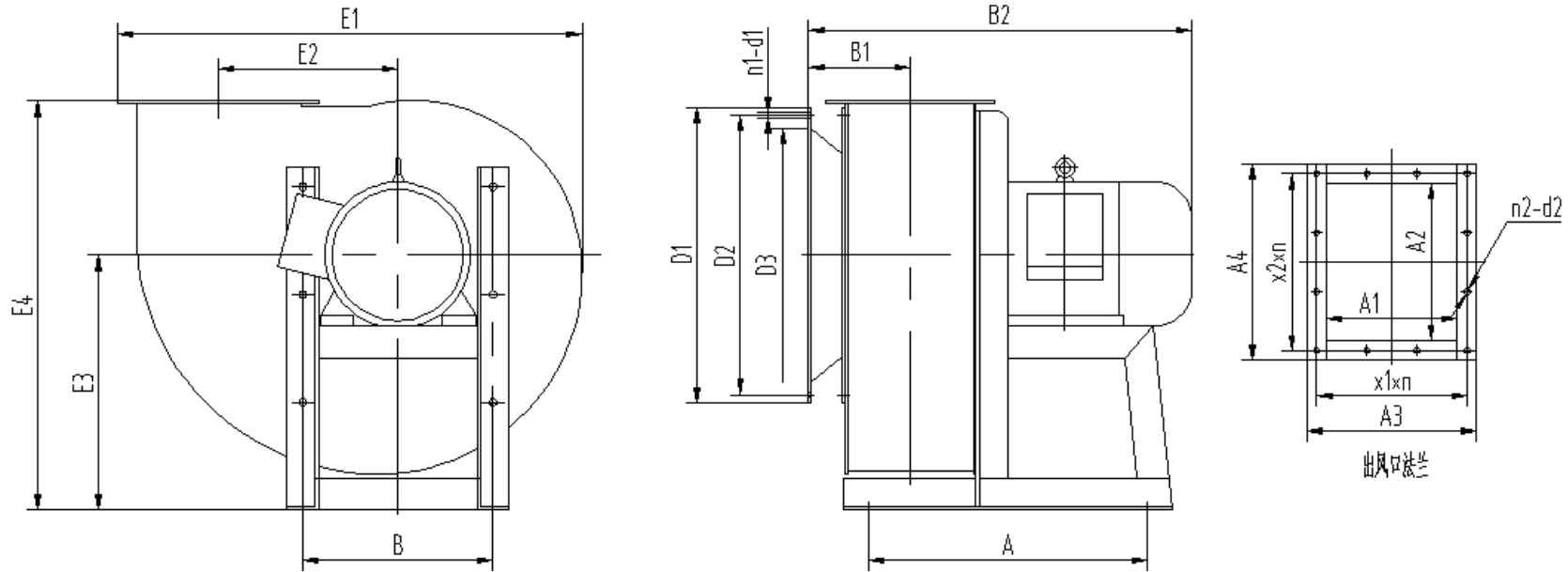
No.	Type	r/min	No.	Flux m <sup>3</sup> /h	Total pressure Pa	Power kW	motor				
							Type	Power kW			
7.1	A	2900	1	12795	8190	42.25	Y250M-2	55			
			2	14435	8250	48.02					
			3	16075	8230	53.34					
			7.1	A	2900	4	17715	8100	57.86	Y280S-2	75
						5	19355	7900	61.59		
						6	20995	7600	64.34		
						7	22635	7200	64.93		
						8	24275	6700	65.58		
						9	25915	6100	68.01		
7.1	C	2800	1	11685	7827	36.87	Y250M-2	55			
			2	13183	7883	41.91					
			3	14680	7865	46.55					
			7.1	C	2800	4	16178	7740	50.50	Y280S-2	75
						5	17676	7549	53.75		
						6	19173	7263	56.15		
						7	20671	6880	56.40		
						8	22170	6403	57.23		
						9	23666	5829	59.35		
7.1	C	2700	1	10865	7548	33.06	Y225M-2	45			
			2	12258	7602	37.58					
			3	13650	7584	41.74					
			7.1	C	2700	4	15043	7464	45.28	Y250M-2	55
						5	16436	7279	48.19		
						6	17828	7004	50.35		
						7	19221	6634	50.57		
						8	20615	6174	51.31		
						9	22006	5621	53.21		
7.1	C	2600	1	10075	7268	29.52	Y225M-2	45			
			2	11367	7320	33.58					
			3	12658	7303	37.27					
			7.1	C	2600	4	13950	7188	40.43	Y250M-2	55
						5	15241	7009	43.03		
						6	16532	6745	44.96		
						7	17824	6388	45.16		
						8	19116	5945	45.82		
						9	20406	5413	47.51		

# *Shuangcheng Blower*

## Model 5-48-12

No.	Type	r/min	No.	Flux m <sup>3</sup> /h	Total pressure Pa	Power kW	motor	
							Type	Power kW
8	C	2900	1	18050	10240	74.53	Y280M-2	90
			2	19670	10290	81.61		
			3	21880	10250	90.43		
			4	24090	10160	98.69		
			5	26300	10000	106.05		
			6	28510	9840	113.12		
			7	30720	9580	118.66		
			8	32930	9320	123.75		
			9	35140	8800	126.26		
			10	37450	8320	134.01		
8	C	2500	1	13141	8737	46.30	Y280S-2	75
			2	14320	8780	50.69		
			3	15929	8746	56.17		
			4	17538	8670	61.30		
			5	19147	8532	65.88		
			6	20756	8396	70.27		
			7	22365	8174	73.71		
			8	23974	7952	76.87	Y280M-2	90
			9	25583	7509	78.43		
			10	27264	7100	83.24		
8	C	2000	1	8410	6989	23.71	Y200L <sub>2</sub> -2	37
			2	9165	7024	25.95		
			3	10195	6997	28.76		
			4	11224	6936	31.39		
			5	12254	6826	33.73		
			6	13284	6717	35.98	Y225M-2	45
			7	14314	6539	37.74		
			8	15343	6362	39.36		
			9	16373	6007	40.16		
			10	17449	5680	42.62		

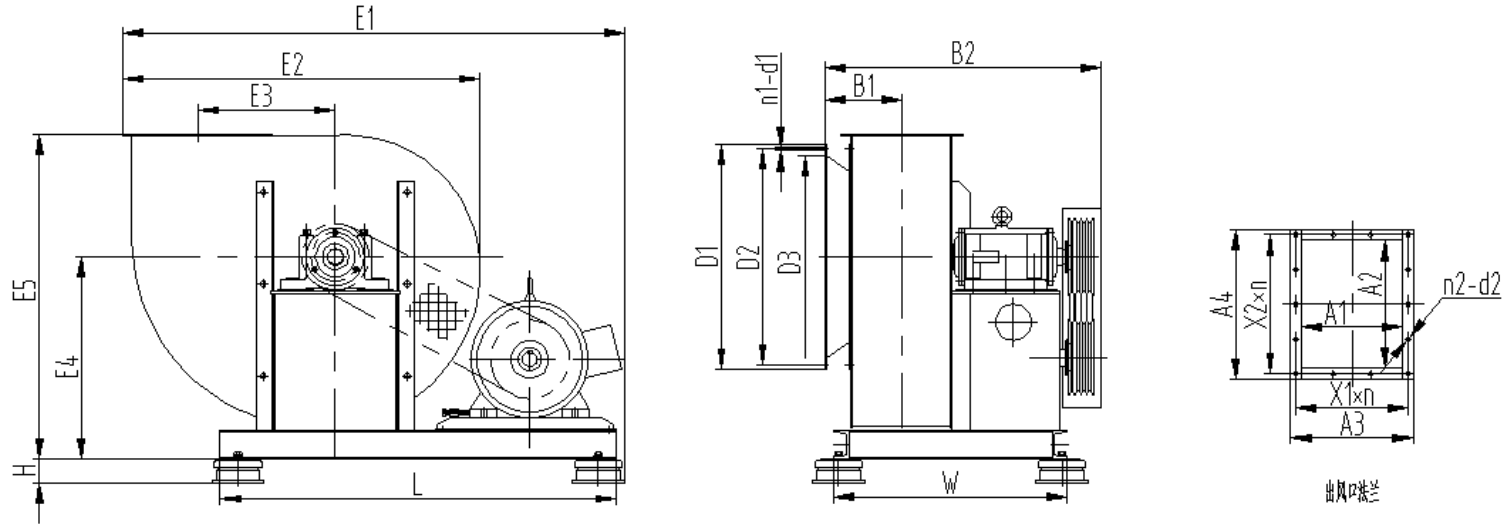
# Shuangcheng Blower



**Shape and Installation Size Chart of Model5-48A Centrifugal Blower**

No.	Inlet flange					Outlet flange								Shape Size						Installation Size			
	D1	D2	D3	Coupling bolt		A1	A2	A3	A4	Coupling bolt				E1	E2	E3	E4	B1	B2	A	B	Anchor bolt hole	
				d1	n1					d2	n2	x1×n	x2×n									Φ	quantity
	4	466	440	406	10	12	207	249	267	309	10	12	79×3	93×3	733	283	402	645	161	604	440	300	15
4.5	526	495	456	10	12	233	286	303	356	10	14	87×3	79×4	820	315	447	721	174.5	686	485	340	15	4
5	576	540	506	12	16	258	317	328	387	10	12	97×3	119×3	906	350	505	809	201	820	600	406	15	4
5.6	626	600	566	12	16	280	354	340	414	12	14	104×3	96.5×4	991	382	555	896	212	912	660	440	15	4
6.3	626	600	566	12	12	325	416	385	476	12	18	89×4	89×5	1134	433	625	1018	228.5	1056	780	470	18	4

# Shuangcheng Blower



## Shape and Installation Size Chart of Model 5-48 C Centrifugal Blower

No.	Inlet flange					Outlet flange								Shape Size							Installation Size				
	D1	D2	D3	Coupling bolt		A1	A2	A3	A4	Coupling bolt				E1	E2	E3	E4	E5	B1	B2	L	W	H	Anchor bolt hole	
				d1	n1					d2	n2	x1×n	x2×n											Φ	quantity
4.5	526	495	456	10	12	233	286	303	356	10	14	87×3	79×4	1273	820	315	476	750	174.5	711	1100	605	65	15	4
5	576	540	506	12	16	258	317	328	387	10	12	97×3	119×3	1323	906	350	521	825	201	748	1100	620	65	15	4
5.6	626	600	566	12	16	280	354	340	414	12	14	104×3	96.5×4	1369	991	382	560	901	212	767	1100	650	65	15	4
6.3	626	600	566	12	12	325	416	385	476	12	18	89×4	89×5	1601	1134	433	673	1066	278.5	862	1280	695	65	15	4
7.1	745	695	635	12	12	365	468	425	528	12	18	98×4	99×5	1953.5	1275.5	489.5	728	1171	257.5	908	1600	735	87	18	6
8	906	860	806	15	16	410	514	510	614	15	22	92×5	95×6	1975	1444	558	820	1318	323	1390	1640	1170	87	18	6